

www.allshine.cc

www.aliceceramica.com

**ALL
SHINE**
Bathroom
Funitre 

ALICE
CERAMICA 

Email: Simom@fsallshine.com

Email: info@aliceceramica.it



Inspiration

Energetic

Advancing with the high end.

Soul

sparkle

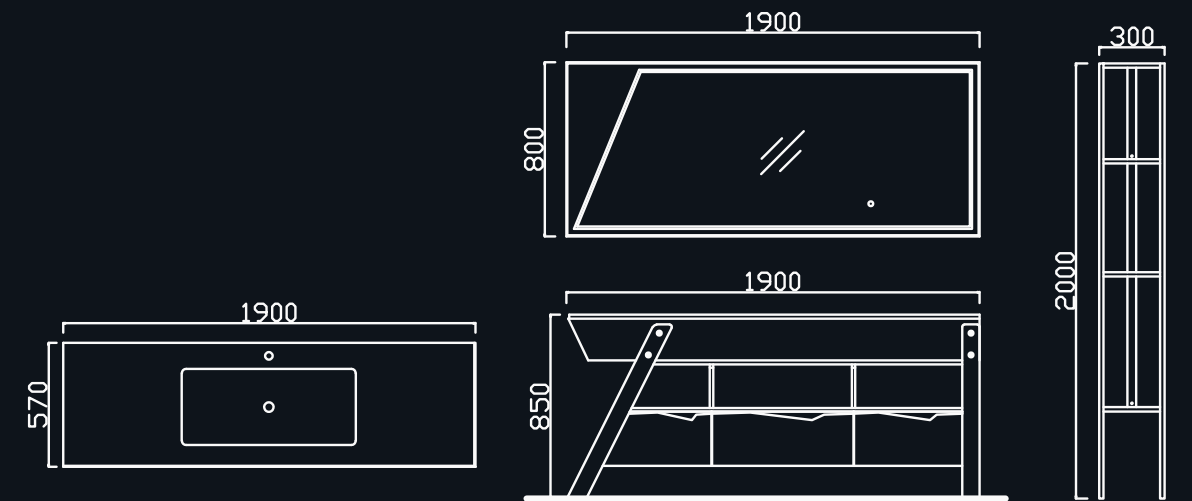
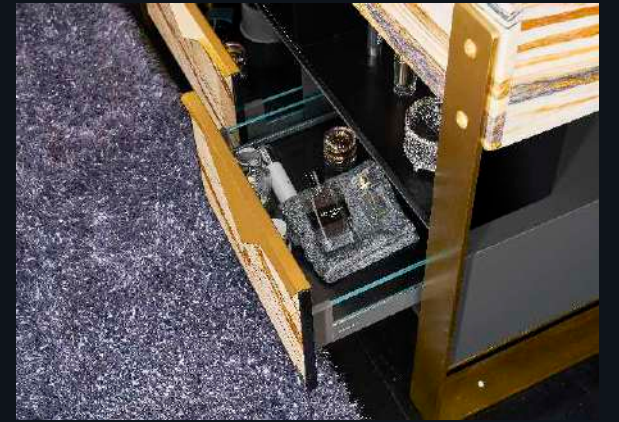
ALL SHINE
Bathroom
Furniture 

HouseMango has been synonymous of high quality interior products for years. Since 2009 the brand All Shine is created under HouseMango specializing high quality bathroom furniture and accessories, characterised by technical and stylistic innovation.

Within the generation, All Shine's philosophy has been able to interpret and anticipate styles and tendencies. Offering to the public, even the most demanding one, several solutions studied on different tastes and different types of users.

The philosophy in the past few years has prized All Shine industry and has brought All Shine bathroom furniture to the most beautiful bathrooms all around the world... included yours.

ALL SHINE

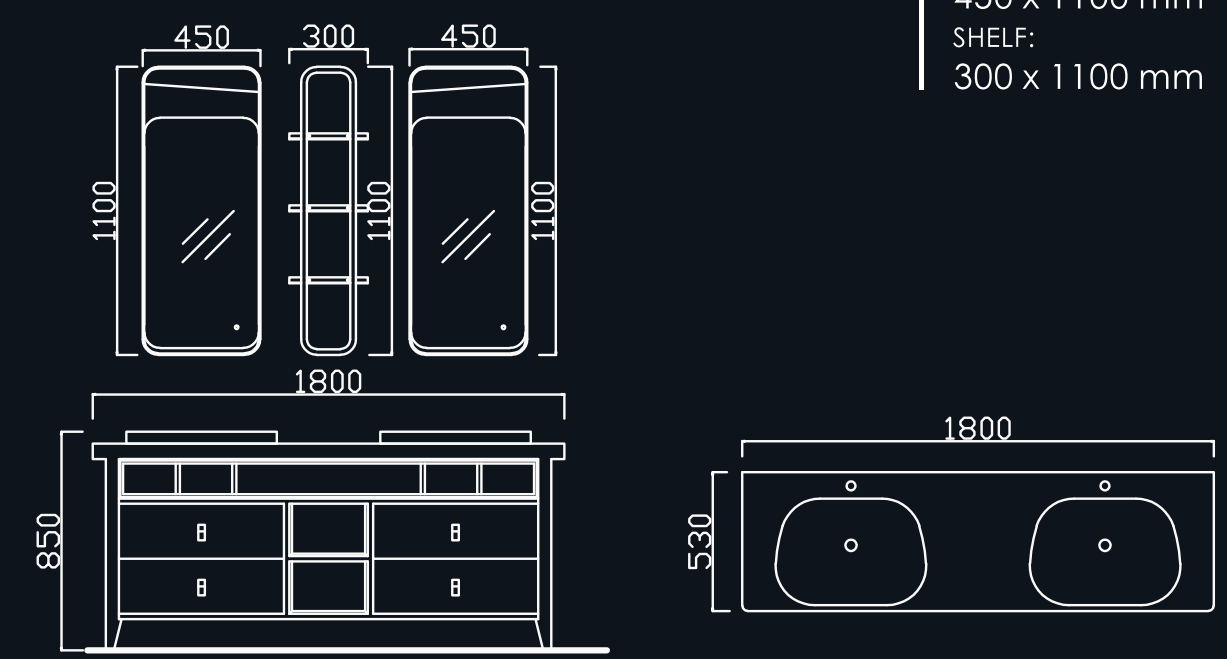


AL-2018A01

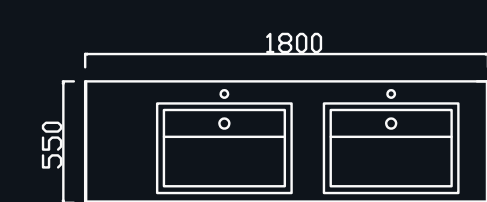
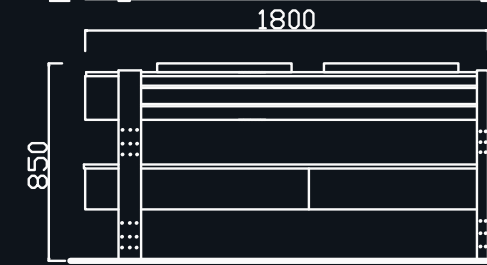
MAIN CABINET:
1900 x 570 x 850 mm
MIRROR:
1900 x 800 mm
SHELF:
300 x 300 x 2000 mm



AL-2018A02 | MAIN CABINET:
1800 x 530 x 850 mm
MIRROR:
450 x 1100 mm
SHELF:
300 x 1100 mm



ALL
SHINE



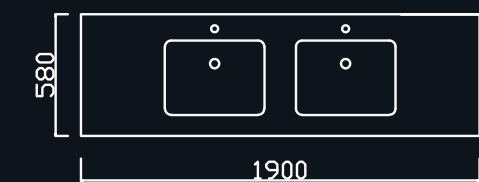
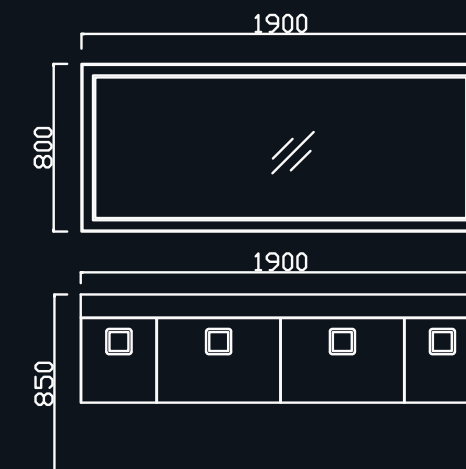
AL-2018A03

MAIN CABINET:
1800 x 550 x 850 mm
MIRROR:
1800 x 900 mm

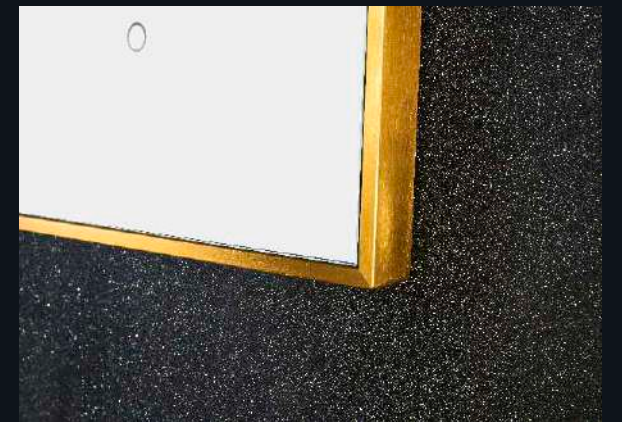
ALL
SHINE



AL-2018A05 | MAIN CABINET:
1900 x 580 x 850 mm
MIRROR:
1900 x 800 mm

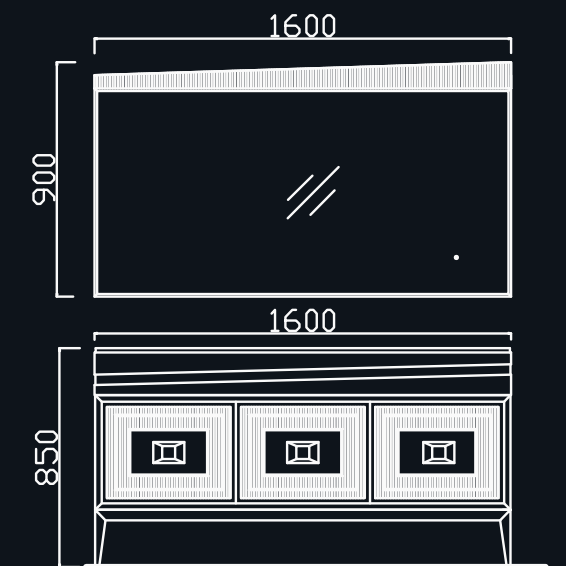
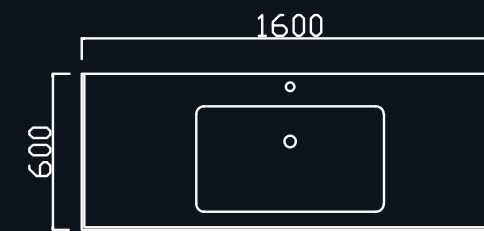


ALL
SHINE



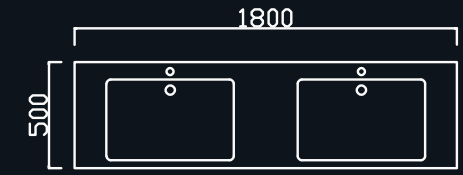
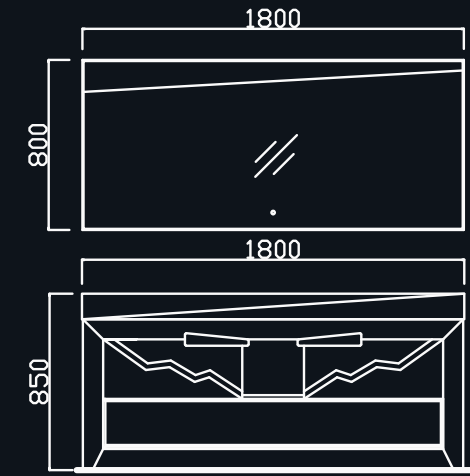
AL-2018A06

MAIN CABINET:
1600 x 600 x 850 mm
MIRROR:
1600 x 900 mm





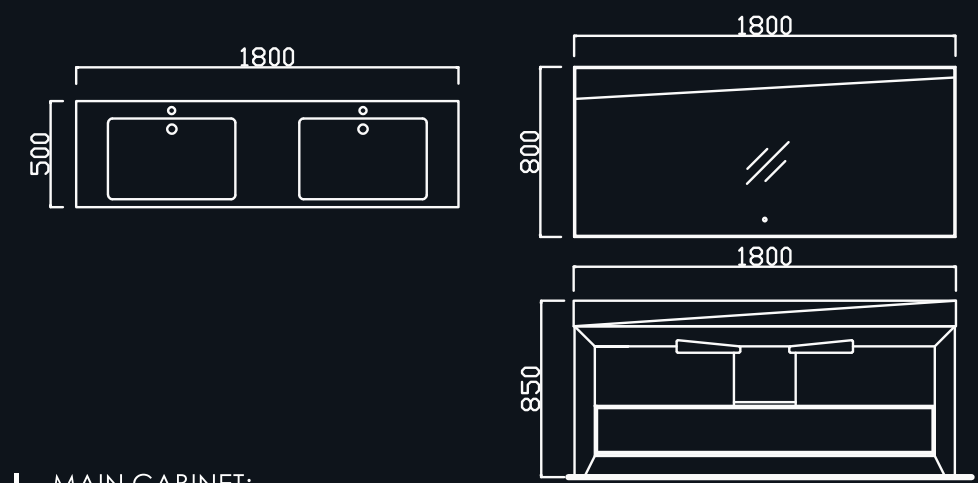
ALL
SHINE



AL-2018A07A | MAIN CABINET:
1800 x 500 x 850 mm
MIRROR:
1800 x 800 mm



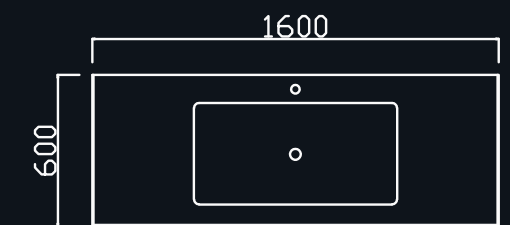
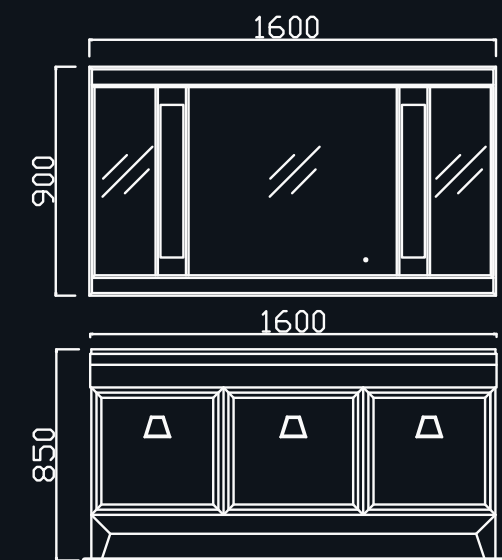
ALL
SHINE



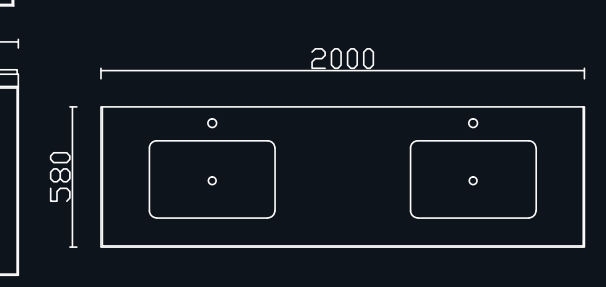
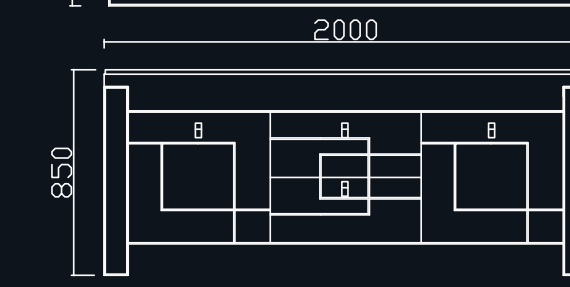
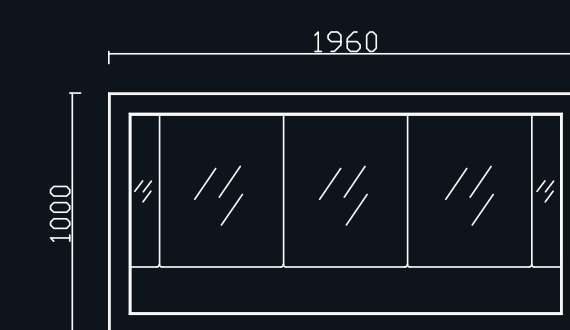
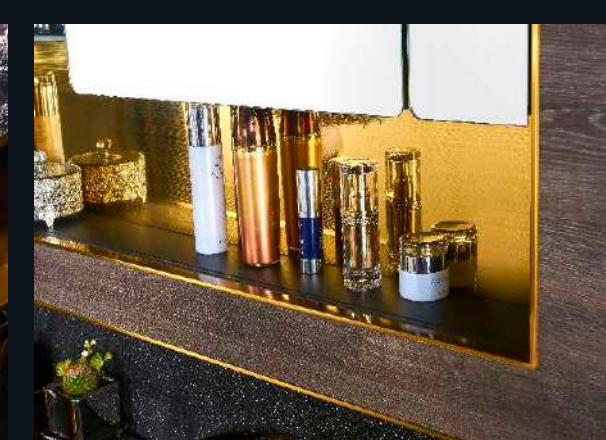
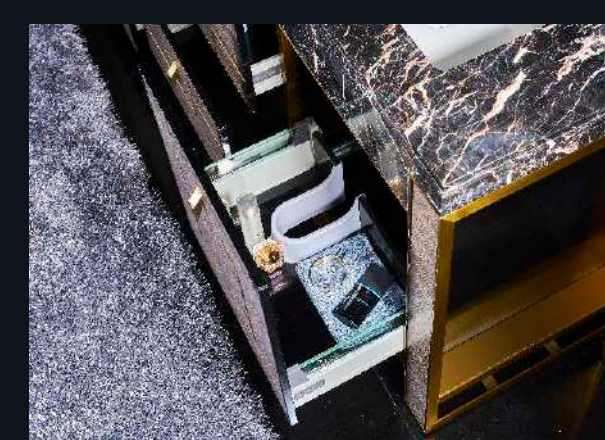
AL-2018A07B | MAIN CABINET:
1800 x 500 x 850 mm
MIRROR:
1800 x 800 mm



ALL
SHINE



AL-2018A08 | MAIN CABINET:
1600 x 600 x 850 mm
MIRROR:
1600 x 900 mm

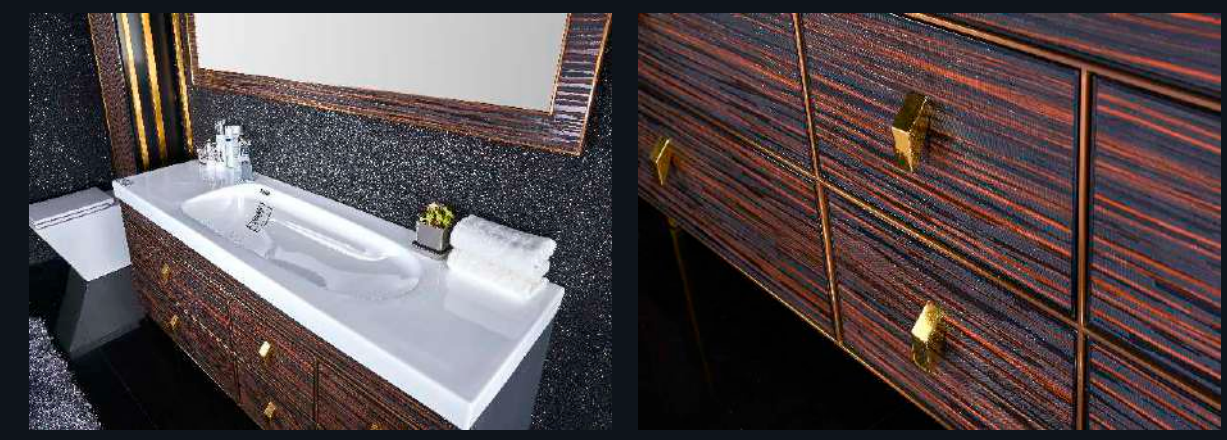
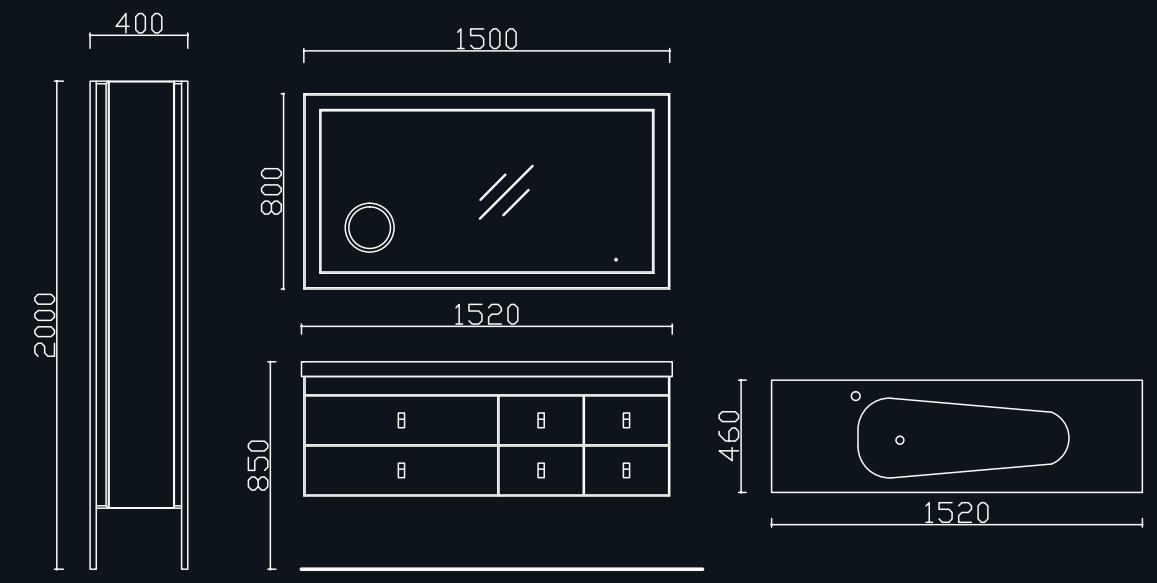


AL-2018A09 | MAIN CABINET:
2000 x 580 x 850 mm
MIRROR:
1960 x 1000 mm

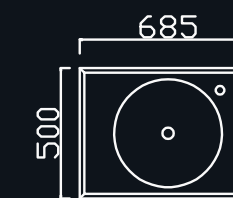
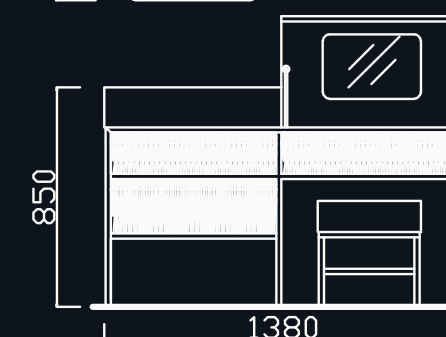
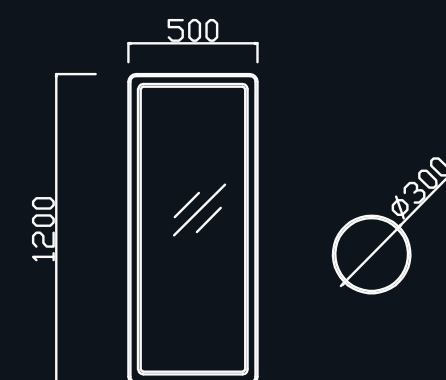
ALL
SHINE



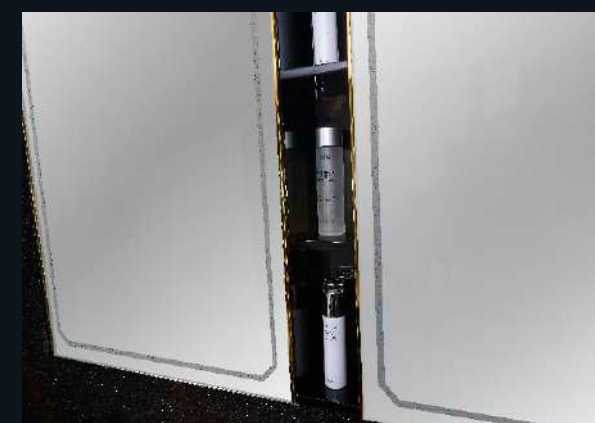
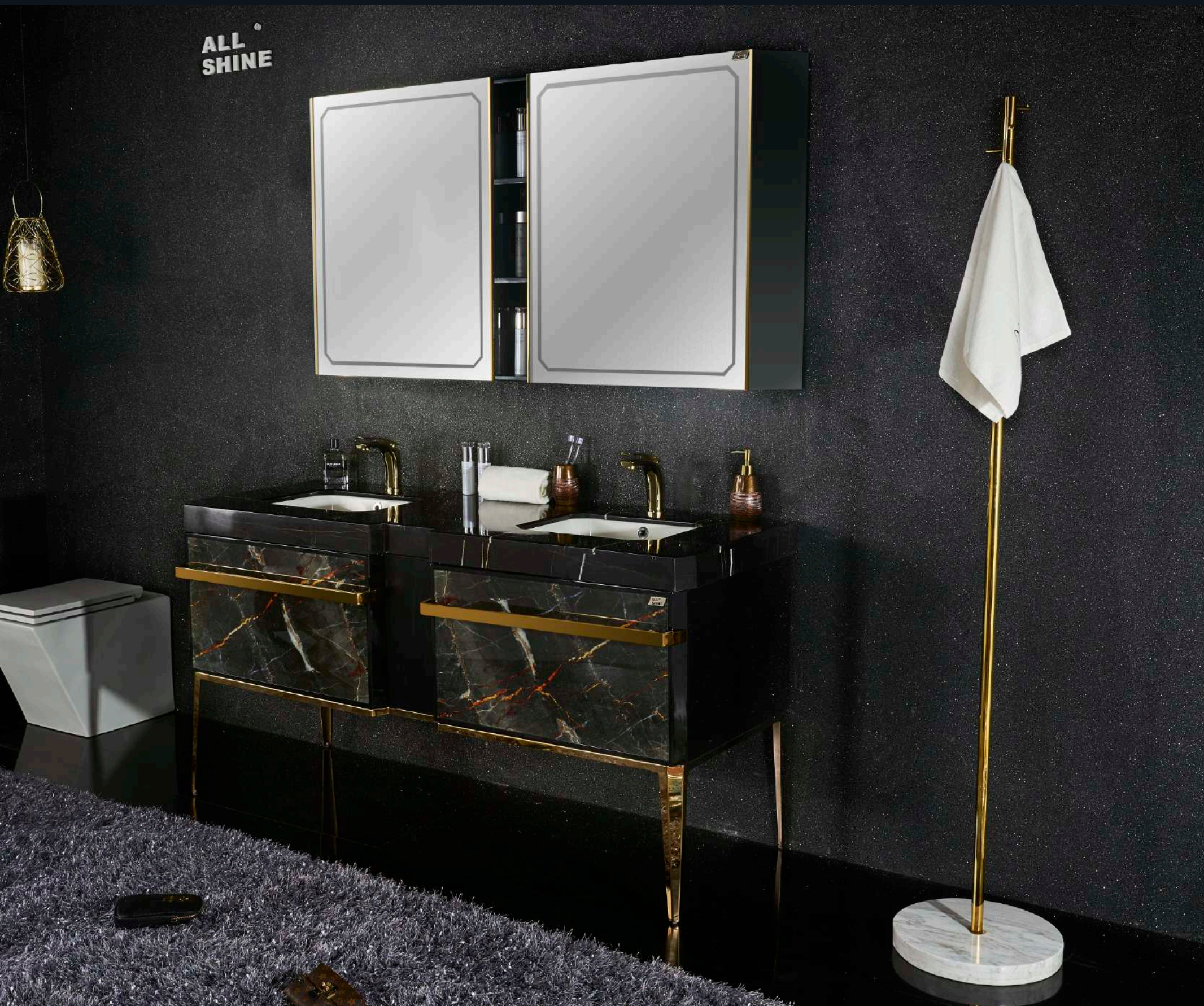
AL-2018A10 | MAIN CABINET:
1520 x 460 x 850 mm
MIRROR:
1500 x 800 mm
SIDE CABINET:
400 x 250 x 2000 mm



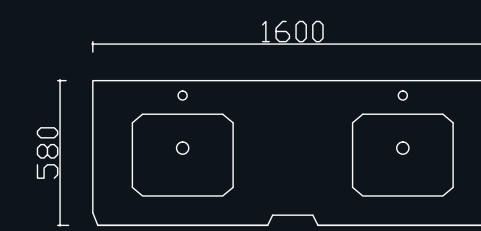
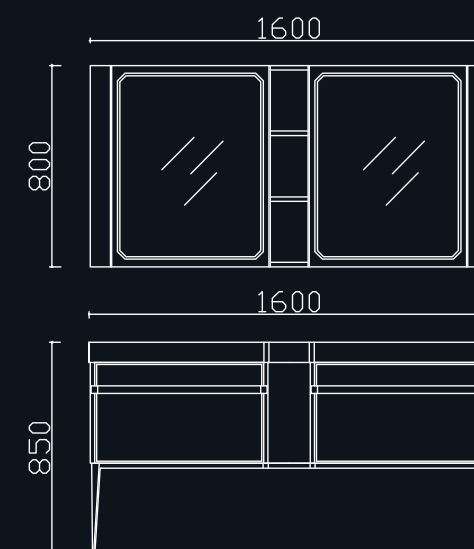
ALL
SHINE



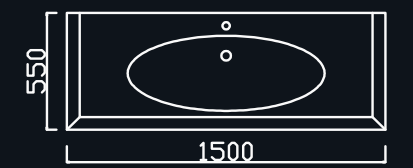
AL-2018A11 | MAIN CABINET:
1380 x 500 x 850 mm
MIRROR:
500 x 1200 mm



AL-2018A12 | MAIN CABINET:
1600 x 580 x 850 mm
MIRROR:
1600 x 800 mm

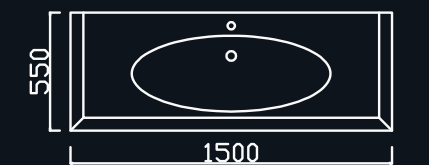
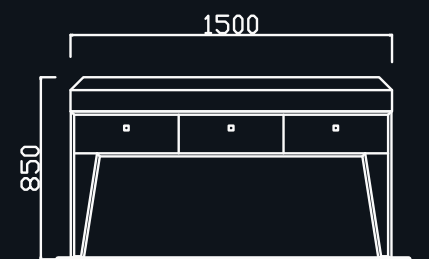
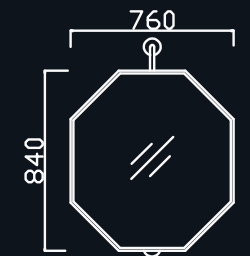


ALL
SHINE



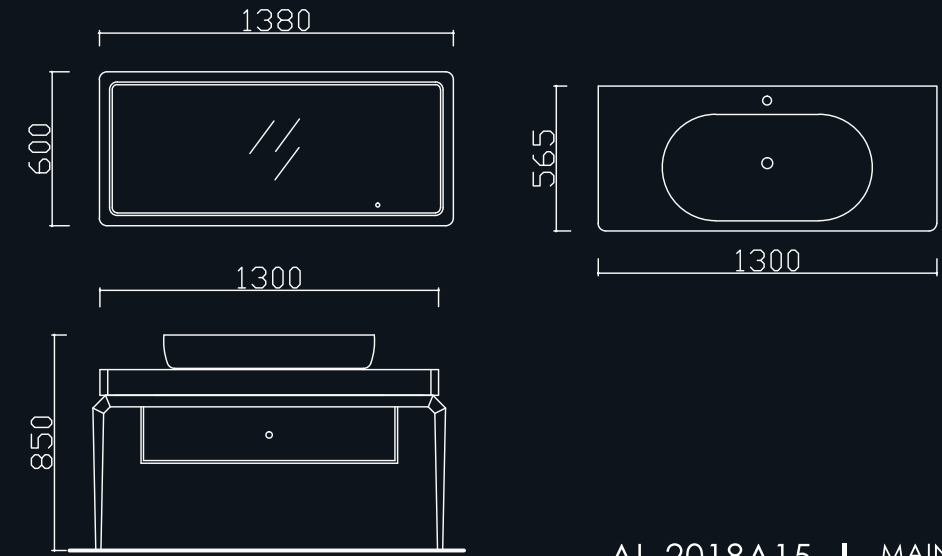
AL-2018A13A

MAIN CABINET:
1500 x 550 x 850 mm
MIRROR:
1500 x 900 mm



AL-2018A13B | MAIN CABINET:
1500 x 550 x 850 mm
MIRROR:
760 x 840 mm

ALL
SHINE



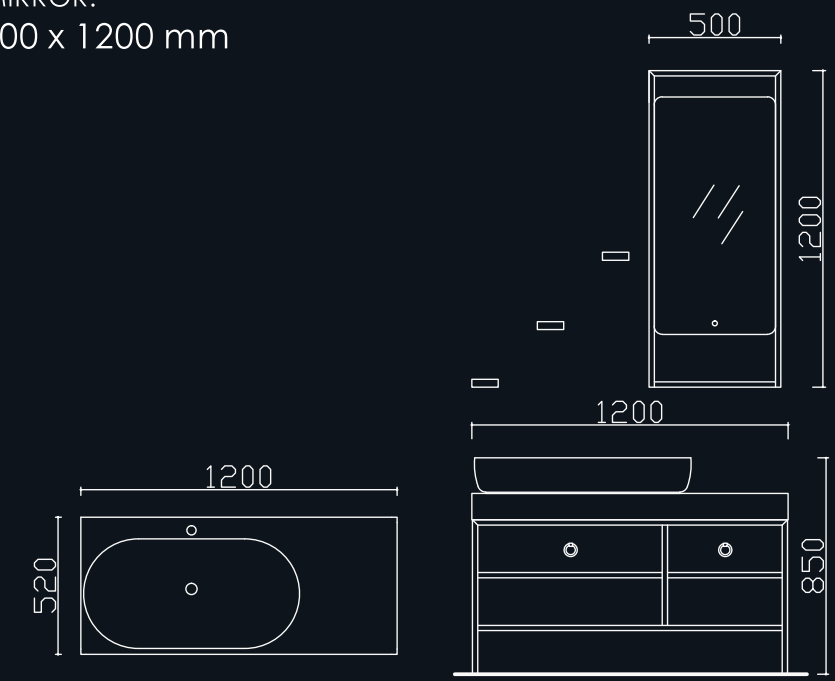
AL-2018A15 | MAIN CABINET:
1300 x 565 x 850 mm
MIRROR:
1380 x 600 mm



ALL
SHINE



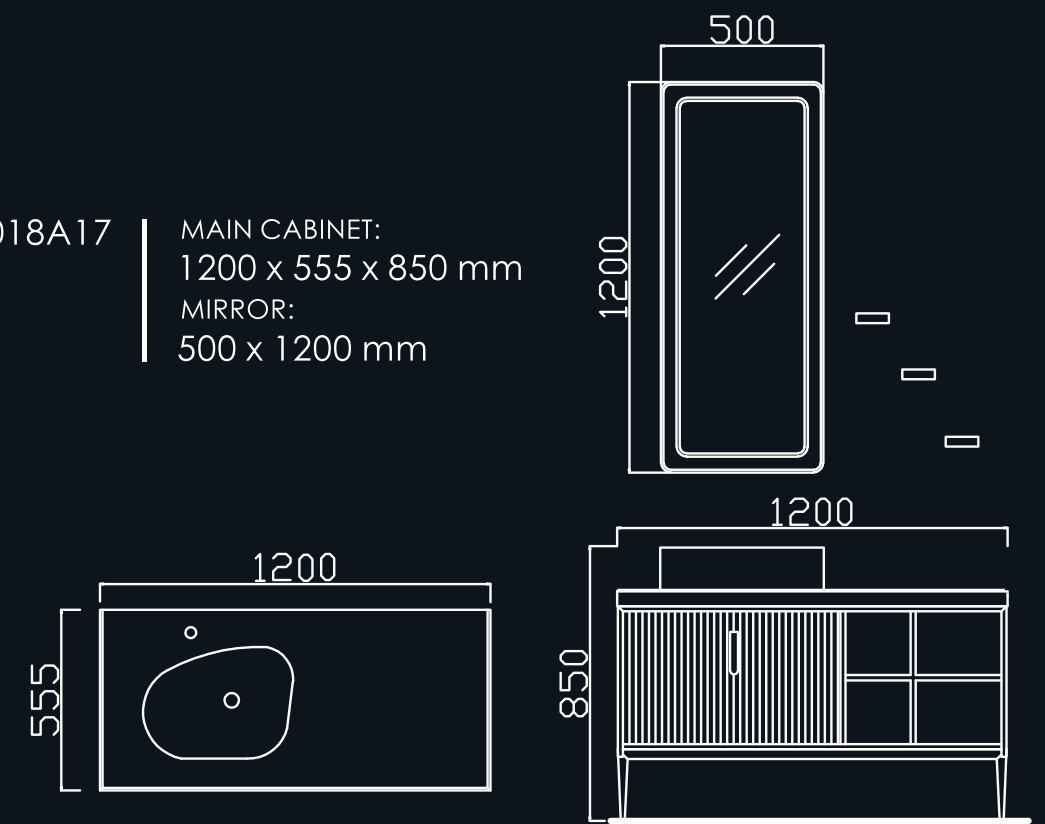
AL-2018A16 | MAIN CABINET:
1200 x 520 x 850 mm
MIRROR:
500 x 1200 mm



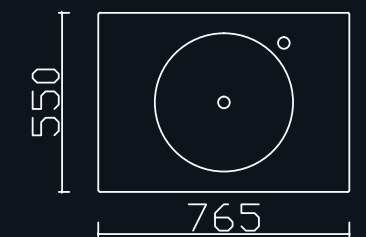
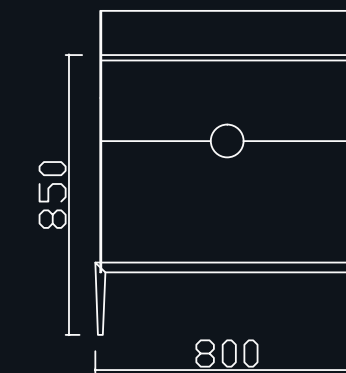
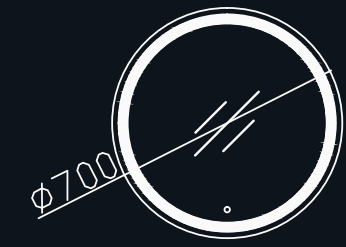


AL-2018A17

MAIN CABINET:
1200 x 555 x 850 mm
MIRROR:
500 x 1200 mm



ALL
SHINE



AL-2018A18

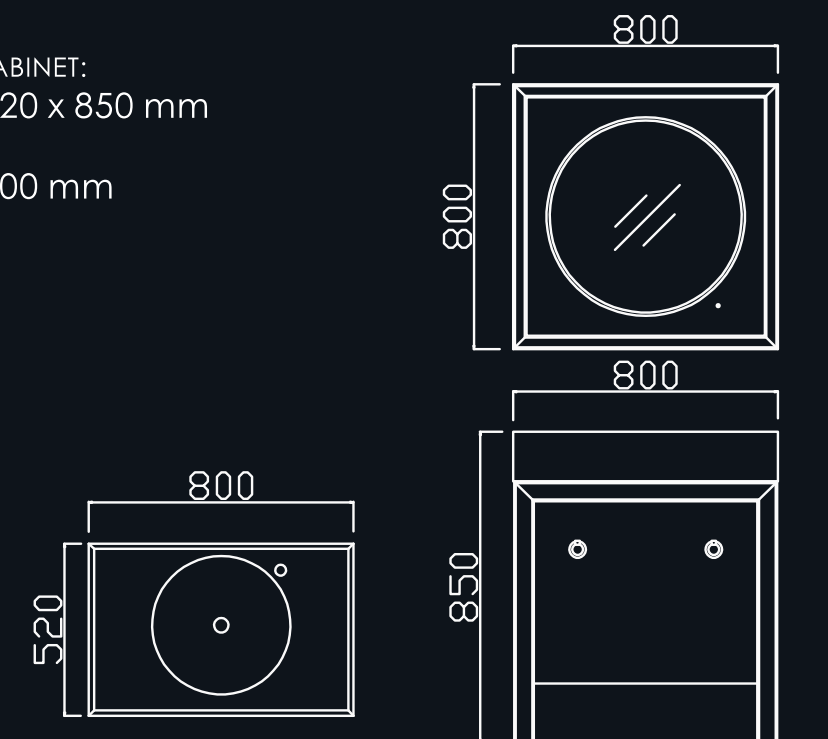
MAIN CABINET:
800 x 550 x 850 mm
MIRROR:
700 x 700 mm

ALL
SHINE



AL-2018A19

MAIN CABINET:
800 x 520 x 850 mm
MIRROR:
800 x 800 mm

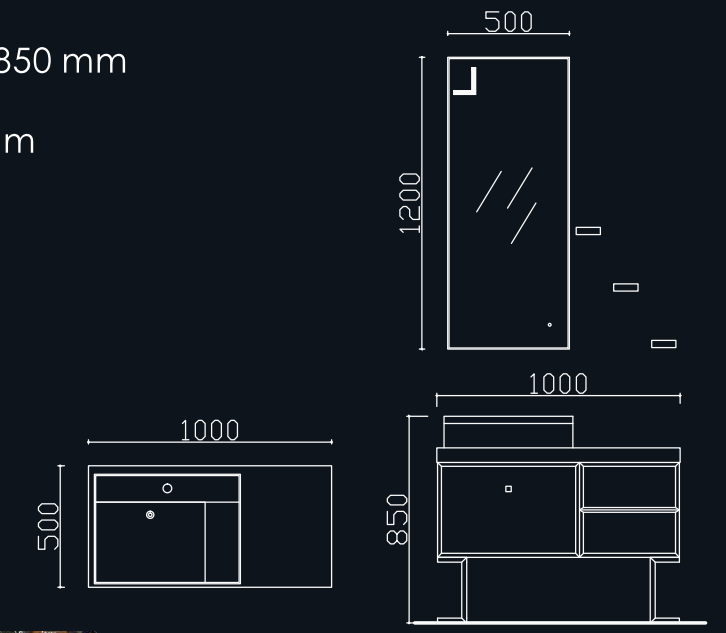


ALL
SHINE



AL-2018A20

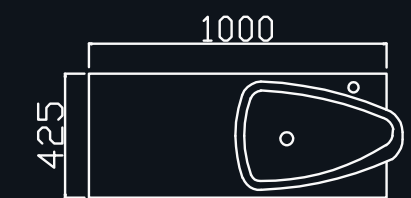
MAIN CABINET:
1000 x 500 x 850 mm
MIRROR:
500 x 1200 mm



ALL SHINE



AL-2018A21 | MAIN CABINET:
1000 x 425 x 850 mm
MIRROR:
560 x 1100 mm
SHELF:
1000 x 120 x 60 mm

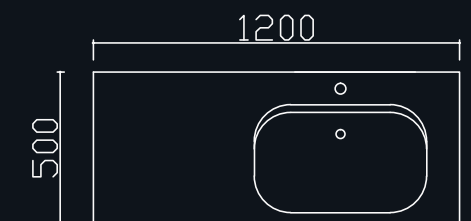
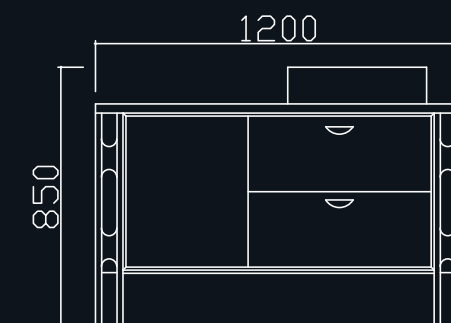
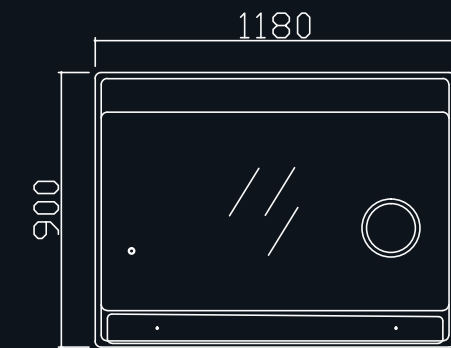


ALL
SHINE



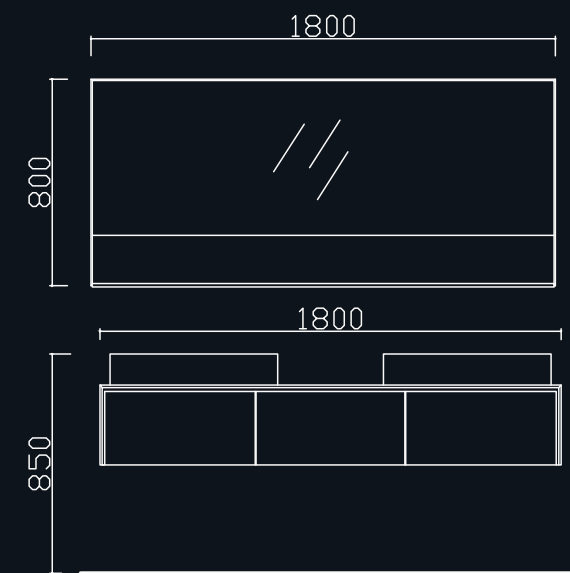
AL-8370

MAIN CABINET:
1200 x 500 x 850 mm
MIRROR:
1180 x 900 mm

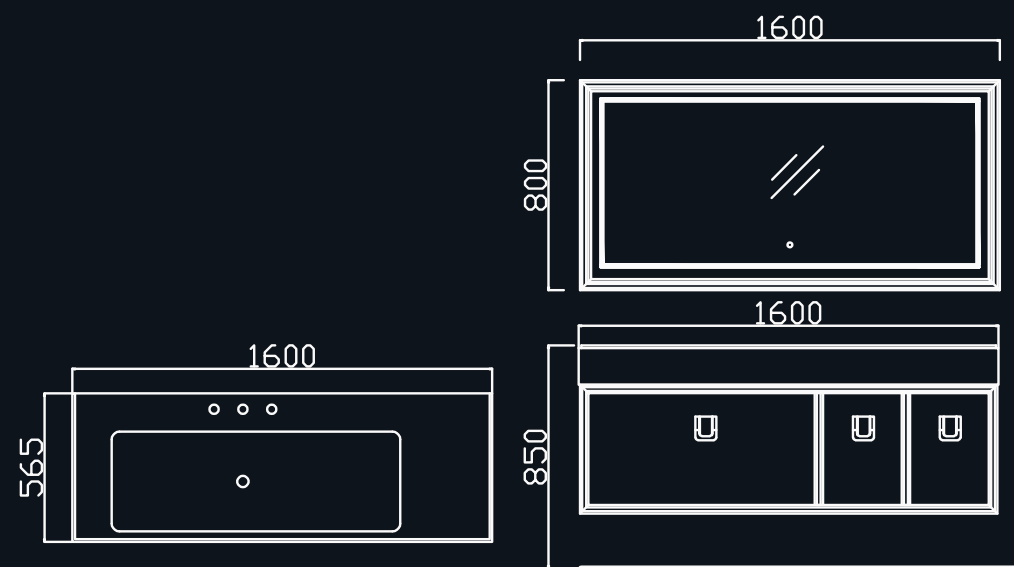


ALL
SHINE

AL-2018A22 | MAIN CABINET:
1800 x 500 x 850 mm
MIRROR:
1800 x 800 mm



ALL SHINE



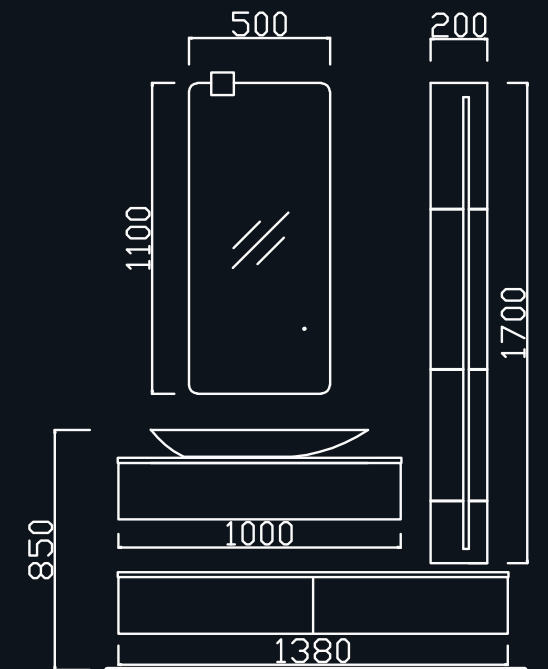
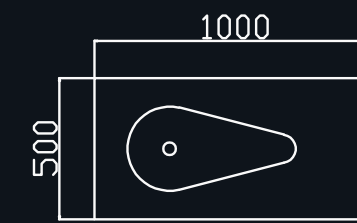
AL-2018A23 | MAIN CABINET:
1600 x 565 x 850 mm
MIRROR:
1600x 800 mm



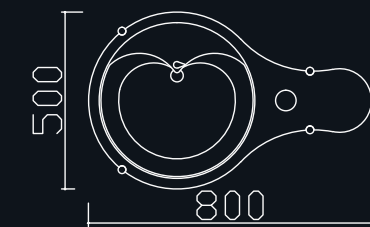
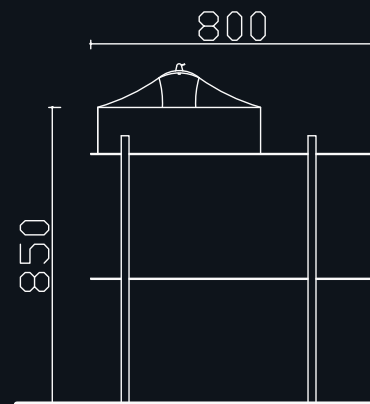
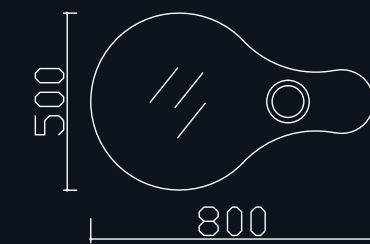
ALL
SHINE



AL-2018A25 | MAIN CABINET:
1380 x 500 x 850 mm
MIRROR:
500 x 1100 mm
SHELF:
200 x 120 x 1700 mm



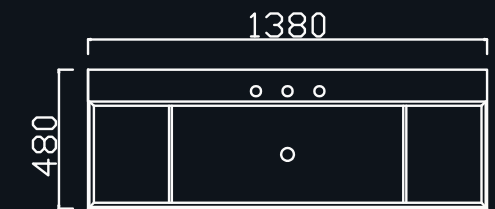
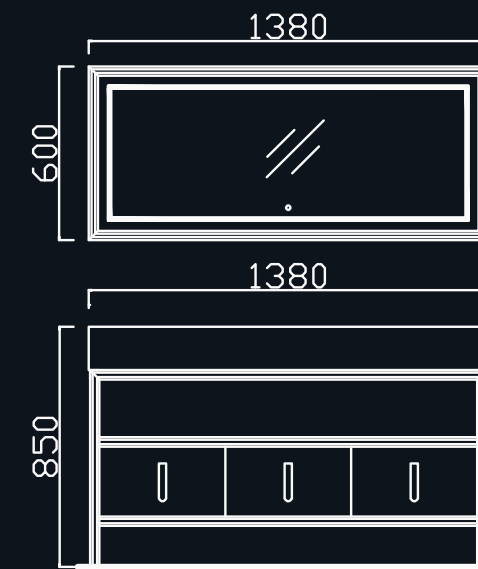
ALL
SHINE



AL-2018A26

MAIN CABINET:
800 x 500 x 850 mm
MIRROR:
800 x 500 mm

ALL
SHINE



AL-2018A27

MAIN CABINET:
1380 x 480 x 850 mm
MIRROR:
1380 x 600 mm



WT-01



WT-02



WT-08



WT-09



WT-03



WT-04



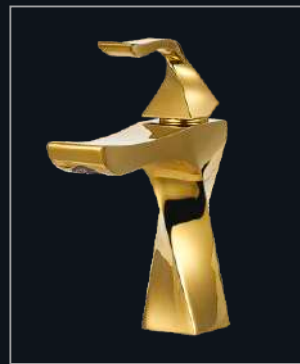
WT-10



WT-11



WT-05



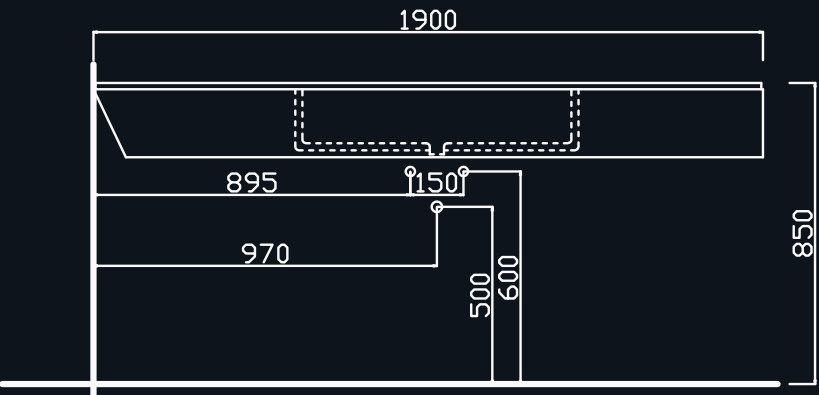
WT-06



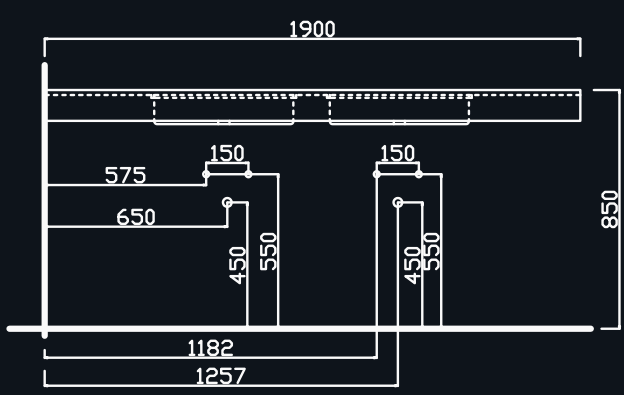
WT-07



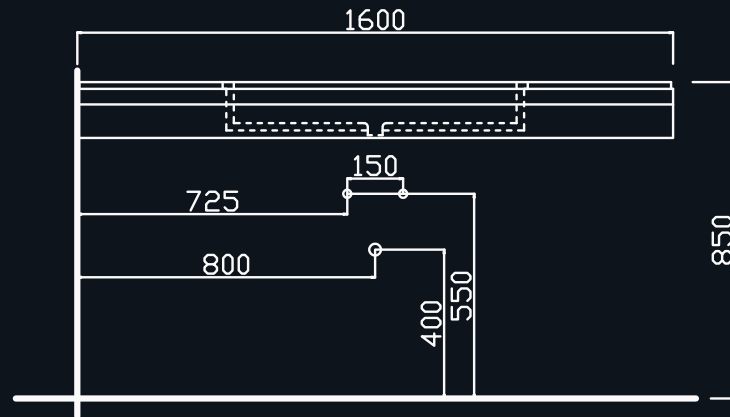
WT-12



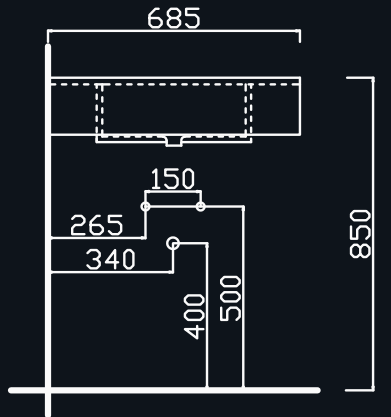
AL-2018A01



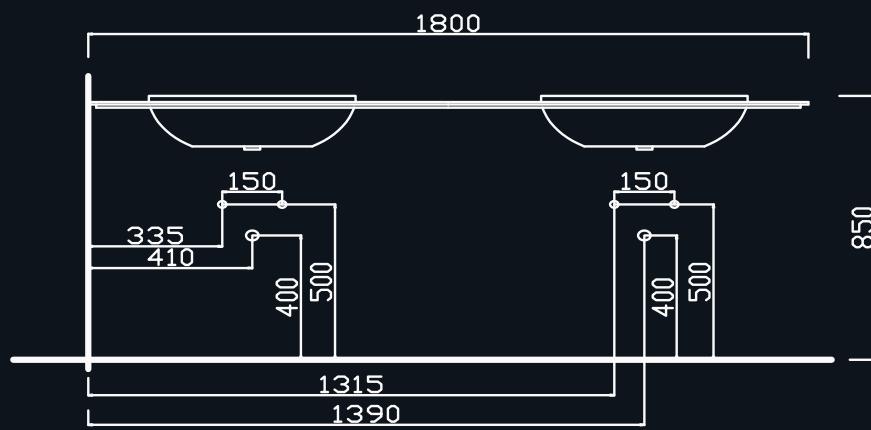
AL-2018A05



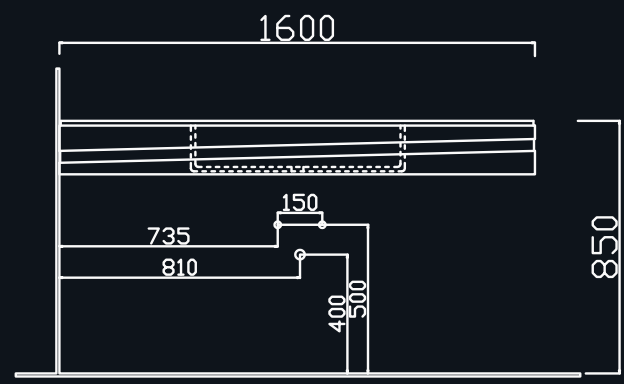
AL-2018A08



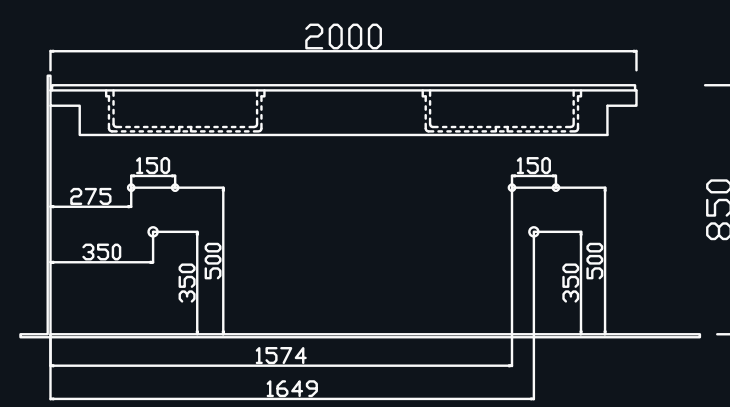
AL-2018A11



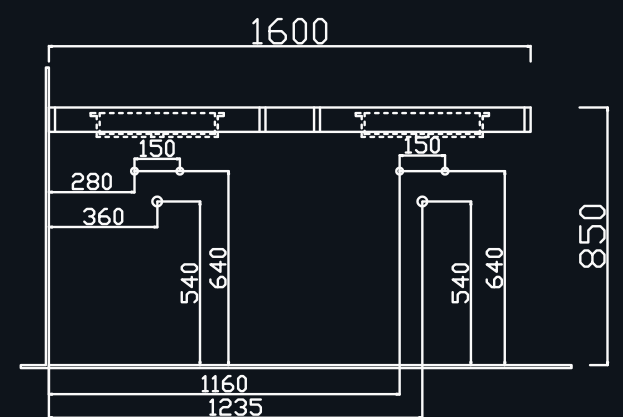
AL-2018A02



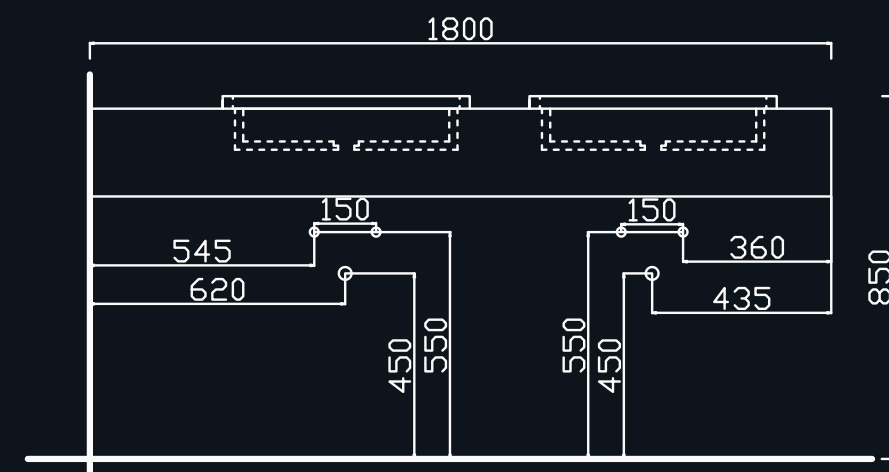
AL-2018A06



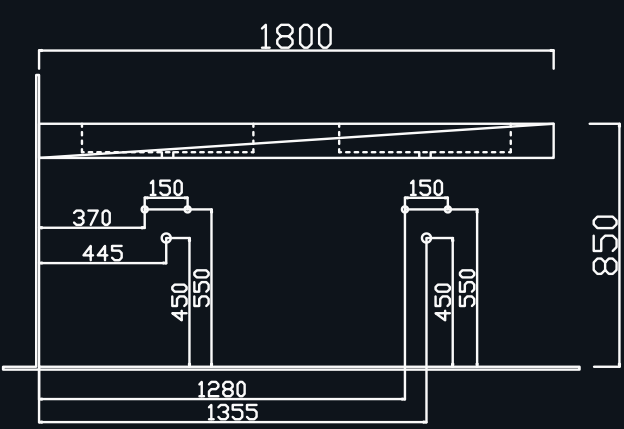
AL-2018A09



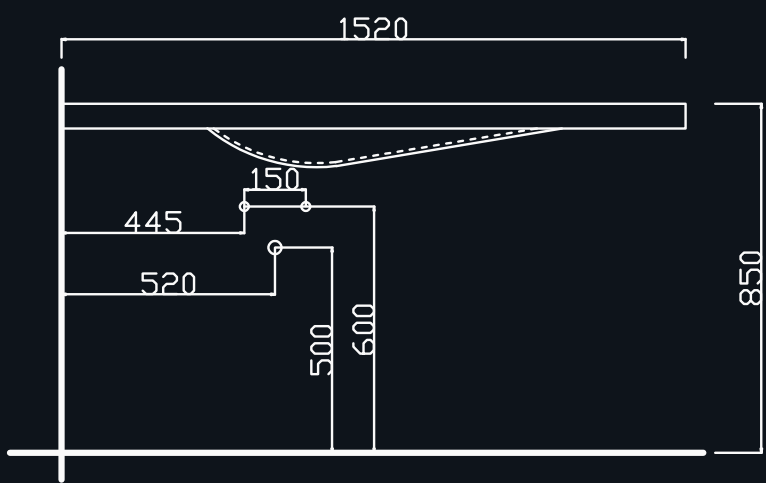
AL-2018A012



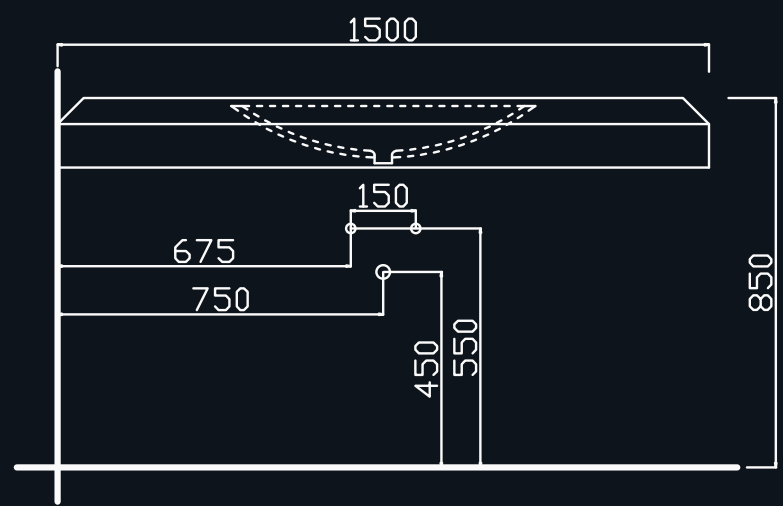
AL-2018A03



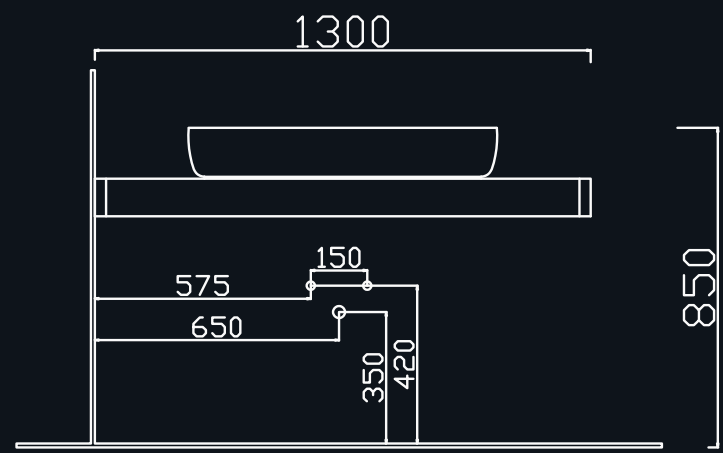
AL-2018A07



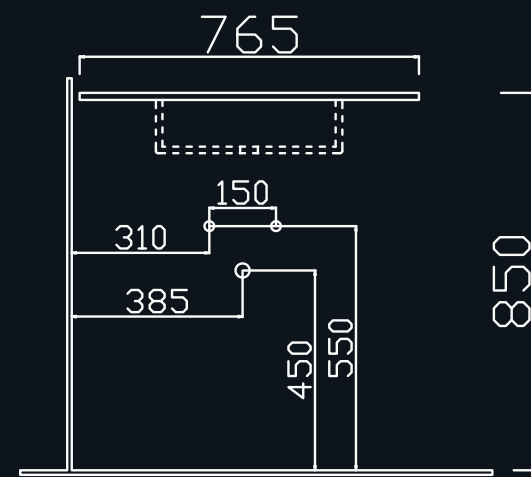
AL-2018A10



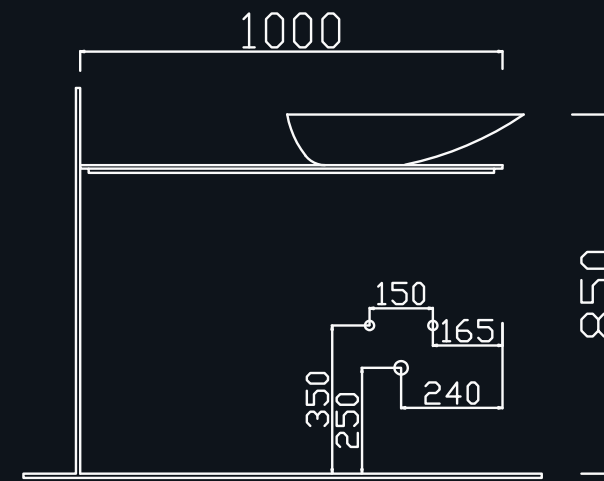
AL-2018A13



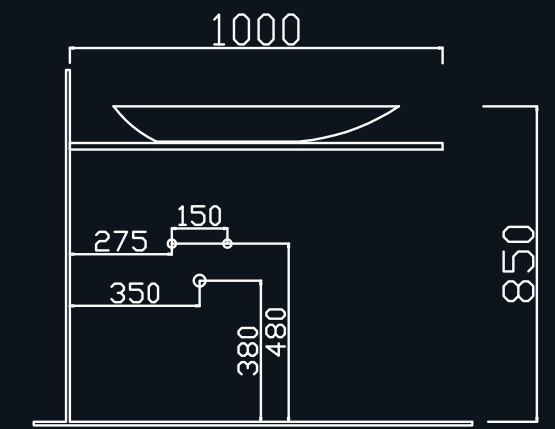
AL-2018A15



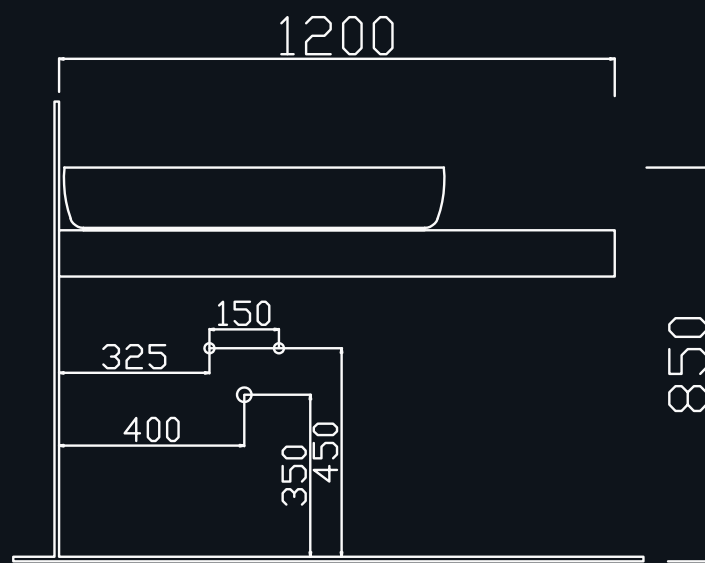
AL-2018A18



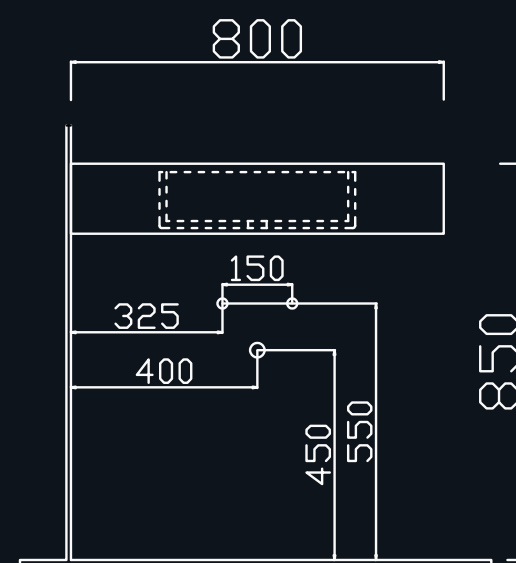
AL-2018A21



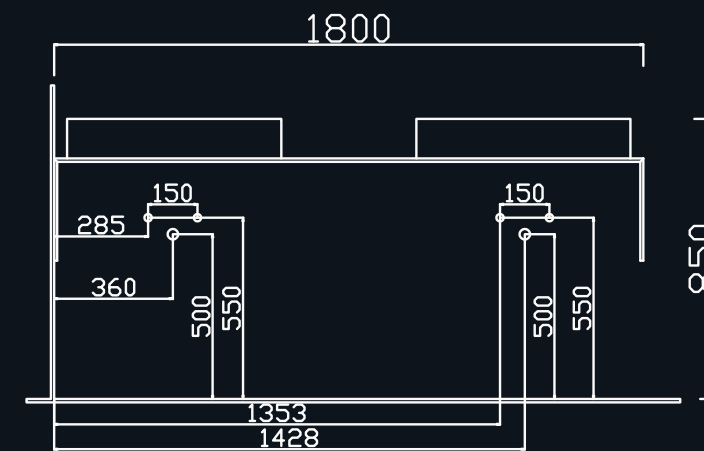
AL-2018A25



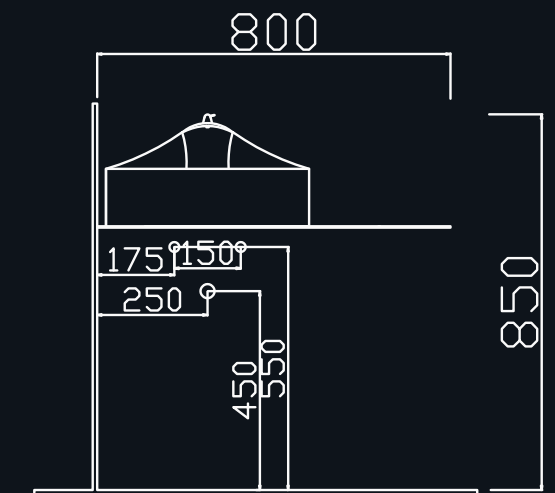
AL-2018A16



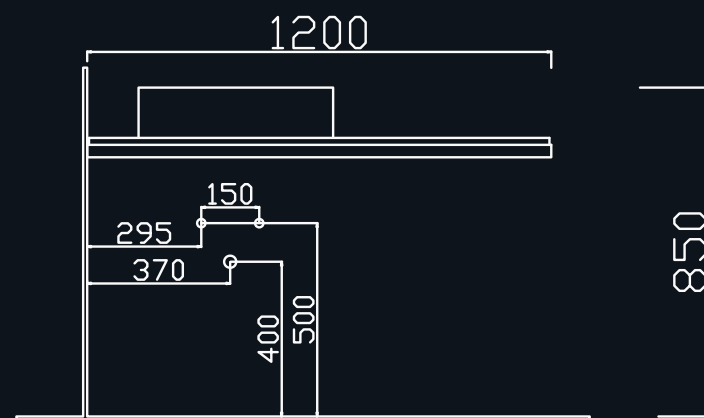
AL-2018A19



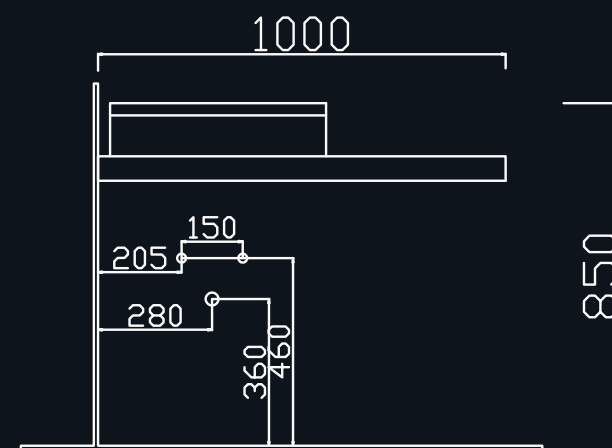
AL-2018A22



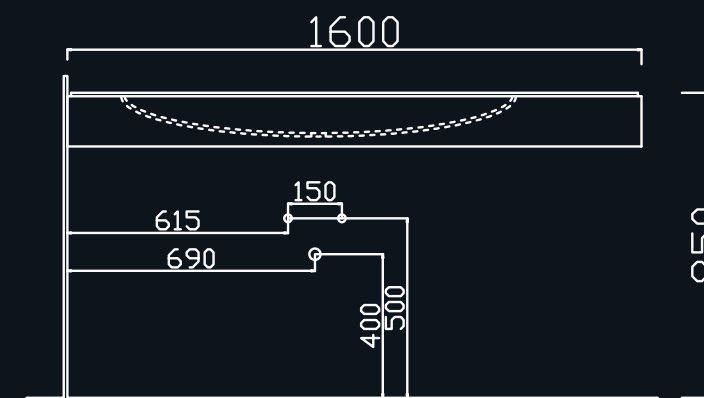
AL-2018A26



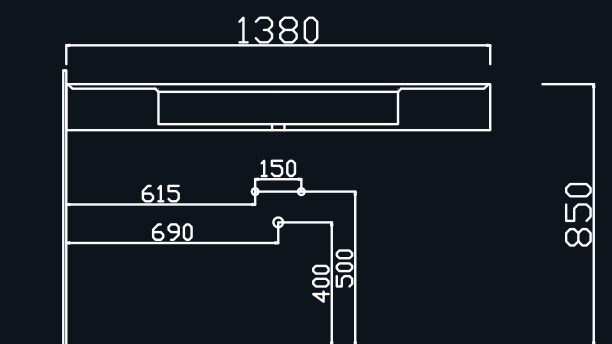
AL-2018A17



AL-2018A20



AL-2018A23



AL-2018A27

Accessories

Many more ...

Ceramic material

Many more ...

Wood & stainless steel textile

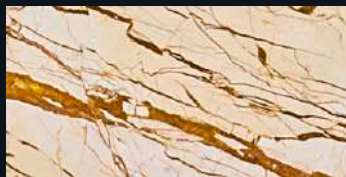
Many more ...



101 years
USA brand



CM-039



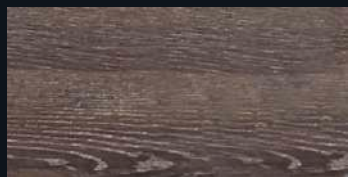
ST-A01



ST-A02



GL-A12



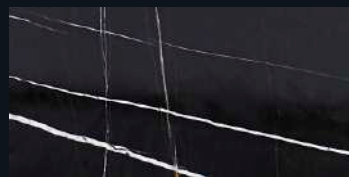
WO-A09



WO-A10



WO-A06



ST-A05



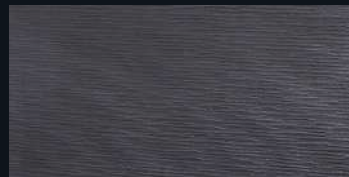
ST-A08



TC-A22



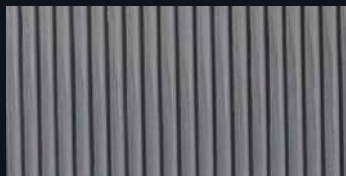
ST-A25



WO-A20



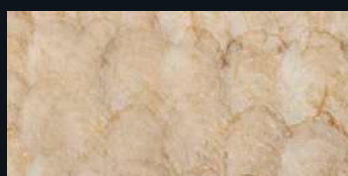
WO-A03



WO-A17



WO-A11



TR-A13



ST-A21



MP-A16



9012WB



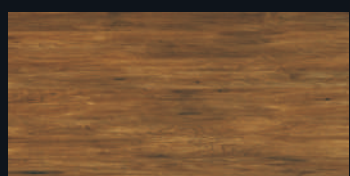
8852D8



CM-037



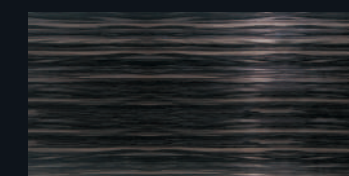
PM-078



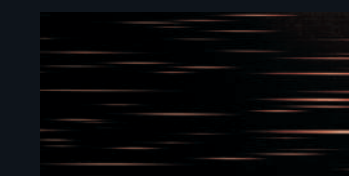
6055NT



6307NT



Printing wood



Meteor shower



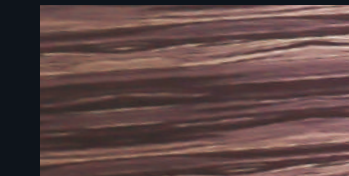
9078NT



9092NT



9025NT



9027NT

Formica Group is a leading provider of branded, designed surfacing solutions for commercial and residential customers worldwide. As the world's largest manufacturer of High Pressure Laminate (HPL), our international network of design, manufacturing, distribution and sales operations maintains the recognition of Formica® as a global brand.

The heritage and brand reputation of the Formica Group of companies has been founded on quality, service and innovative product lines. We have developed an unrivaled expertise that ensures products meet the needs of their applications — as well as market demands.

Working closely with architects, designers and developers, the company is strategically positioned to offer new products and surfacing solutions that complement current design trends. Our ongoing product design and development process underscores our commitment to innovation.

In May 2007, Formica Group of companies were acquired by Fletcher Building, one of Australia's and New Zealand's largest building companies. The acquisition resulted in the creation of the world's largest manufacturer of decorative surfaces and high pressure laminate.

Formica Group is a global group of companies consisting of Formica Canada, Inc., Formica Corporation, Formica de Mexico S.A. de C.V., Formica IKI Oy, Formica Limited, Formica S.A., Formica Skandinavien, Formica S.A.S., Formica Taiwan Corporation, Formica (Thailand) Co., Ltd., Formica (Asia) Ltd., and Homapal GmbH, among others.

ALICE
CERAMICA



Art Director_Artist_Designer
Massimiliano Braconi

